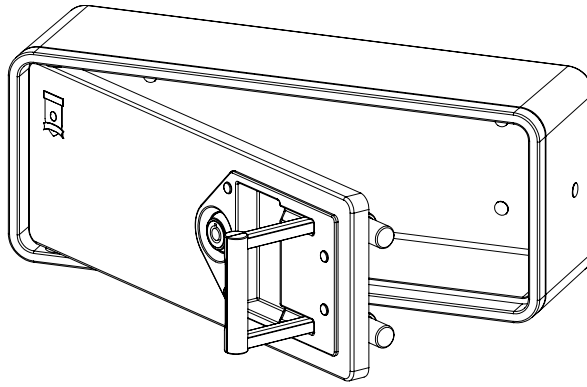


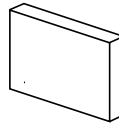
# Mounting Instructions



Your safe has been specifically designed to be mounted in a drawer or medicine cabinet. Holes have been pre-drilled into the safe which will enable multiple securing options. Please use caution if mounting with user purchased hardware (not included) as the factory is not responsible for any damage due to user mounting errors. For simplicity, your safe includes Double Faced Epoxy Tape which will affix your safe to a desired location.



**CAUTION**



**Please note that the included Extra Strength Tape should be considered a permanent mounting solution as once applied it will not be easily removed.**

---

## Warranty

### LIMITED WARRANTY

Innovative Product Concepts, LLC (“the Company”) warrants to the original purchaser of the MS-1/PS-1 Safe that it will be free from defects in materials and workmanship for a period of 1 (one) year from the original date of purchase. If a defect exists that is covered by this Limited Warranty, the Company will, at its sole option, (i) repair the product at no charge, using new or refurbished replacement parts, (ii) exchange the product with a product that is new or which has been manufactured from new or serviceable used parts and is at least functionally equivalent to the original product, or (iii) refund the purchase price of the product. A replacement product/part assumes the remaining warranty of the original product or ninety (90) days from the date of replacement or repair, whichever provides longer coverage for you. When a product or part is exchanged, any replacement item becomes your property and the replaced item becomes the Company’s property. When a refund is given, your product becomes the Company’s property. All warranty returns must be sent postage and insurance prepaid.

### LIMITATIONS

This Limited Warranty applies only to hardware products manufactured by or for the Company. This Limited Warranty does not apply to any non-Company hardware products or any equipment, even if packaged or sold with Company hardware. This warranty does not apply: (a) to damage caused by accident, abuse, misuse, misapplication, or non-Company products; (b) to damage caused by service (including upgrades and expansions) performed by anyone other than the Company; (c) to a product or a part that has been modified without the written permission of the Company; or (d) if any Company serial number has been removed or defaced.

Responsibility is limited to the actual cost of the item. Company shall not be liable in any way for damages resulting from use, intended or unintended, or misuse of this product in conjunction with any device or accessory other than an appropriate equipment or devices as described in the product manual. Company will not be responsible for expenses or inconveniences, or consequential damages occasioned by equipment, or by breach of any expressed or implied warranty with respect thereto. Implied warranties on this item shall be in effect only for duration of the expressed warranty set forth above and after the expiration of such expresses warranty there shall be no warranties, expressed or implied (including merchantability) on the product.

